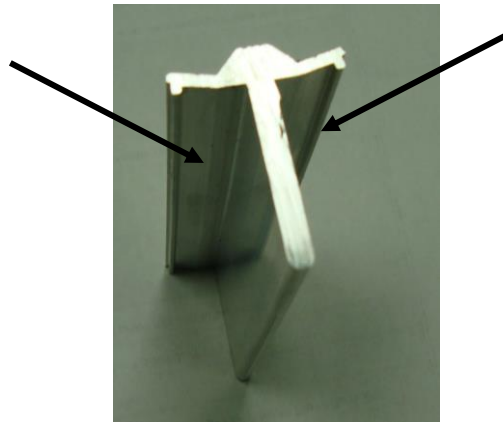




**** IMPORTANT:** These are specific installation steps to our product. However, it is important to follow the guide and methods of the installations according to the existing building code requirement for each particular installation.

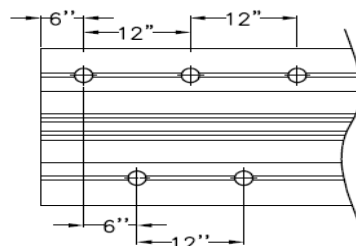
In order to not damage the product, a minimum knowledge of installation of windows and doors is required to perform the finishing adjustments presented in this guide. These adjustments do not rectify an incorrect installation.

1. Pulling a uniform bead of sealant to the two places along the entire length on the exterior union rod.

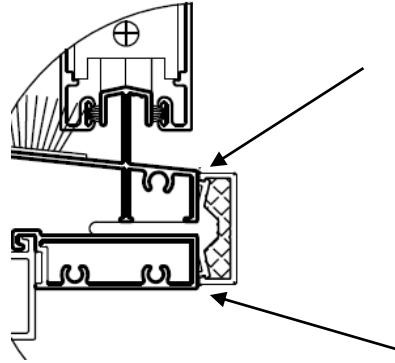


2. Install the union rod between the 2 boxes connect by pressing them using claws on each other.

3. On the union rod, in the drilling side cavities, insert screw 6 " from the top and then every 12". On the other side, start at 12 "from the top and also repeat every 12".



4. Install the rod cap over the rod and draw a bead of sealant on both sides at the junction of the cap rod and the union rod.



5. Seal both ends of the union rod before installing the cap; for the exterior only



6. Repeat the same steps for the interior union rod without applying sealant.

For installation
**DO NOT USE CAULKING
BUTYL BY TREMCO**

* Not compatible with
our glass suppliers

