



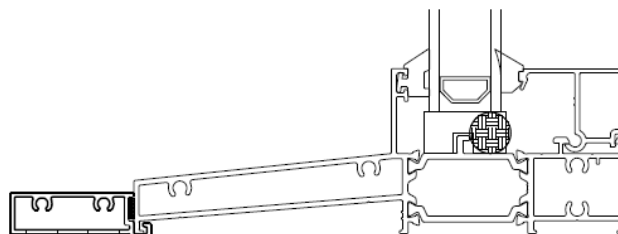
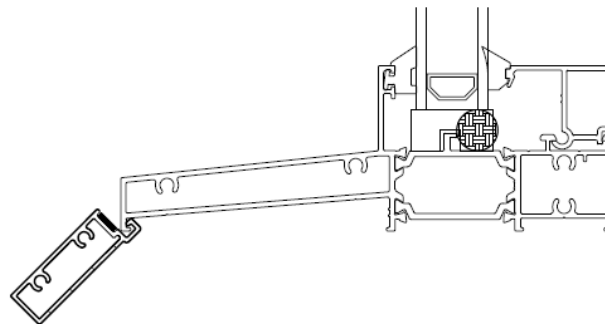
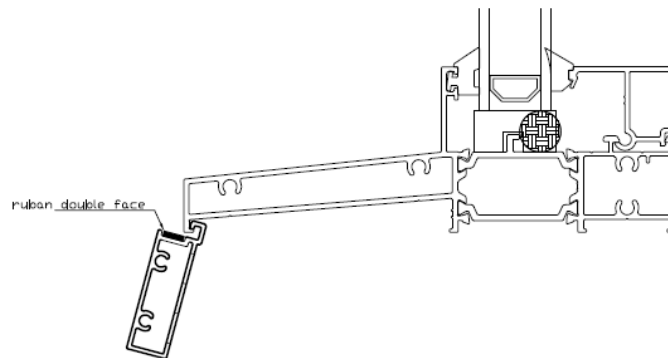
**SPECIFIC INSTALLATION PROCEDURE FOR CLOSED EXTERNAL
EXTENSION**

**** IMPORTANT:** These are specific installation steps to our product. However, it is important to follow the guide and methods of the installations according to the existing building code requirement for each particular installation.

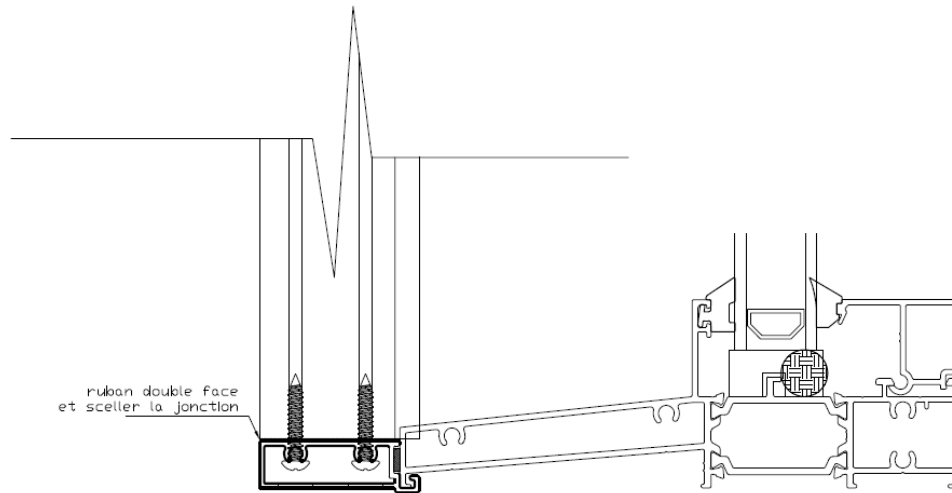
In order to not damage the product, a minimum knowledge of installation of windows and doors is required to perform the finishing adjustments presented in this guide. These adjustments do not rectify an incorrect installation.

* The extension must be installed before the installation of the window in the residence.

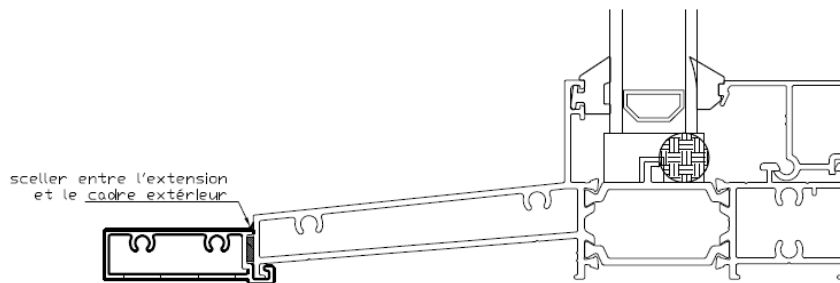
1. Remove the double-faced tape before inserting the extension to hold it in place.
2. Insert part of the extension.



3. insert 2 # 8 screws at each extensions corner junction to connect the next frame side extensions to the other.



4. Seal the junction between the extension part and the original frame. Also apply the sealant at the corners of the extension.



For installation
**DO NOT USE CAULKING
BUTYL BY TREMCO**

* Not compatible with
our glass suppliers

