



**** IMPORTANT:** These are specific installation steps to our product. However, it is important to follow the guide and methods of the installations according to the existing building code requirement for each particular installation.

In order to not damage the product, a minimum knowledge of installation of windows and doors is required to perform the finishing adjustments presented in this guide. These adjustments do not rectify an incorrect installation.

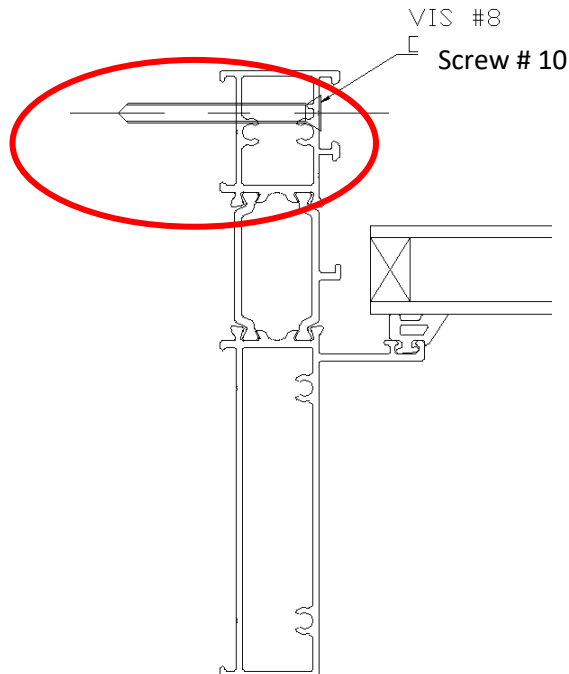
Products from our puRE line must be installed using a laser level. * * *

1. Remove the inner gasket to remove the vertical aluminum molding glazing extrusion installed on the window frame in order to access to pre-drilled installation holes.

Window Gasket

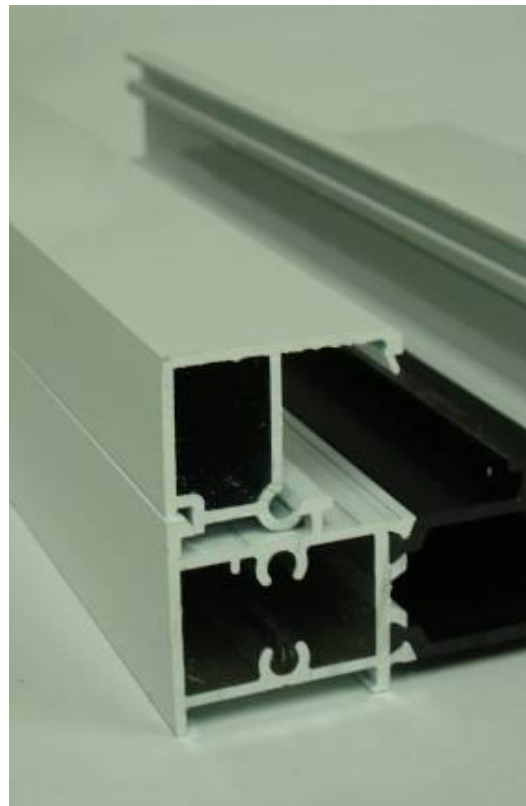
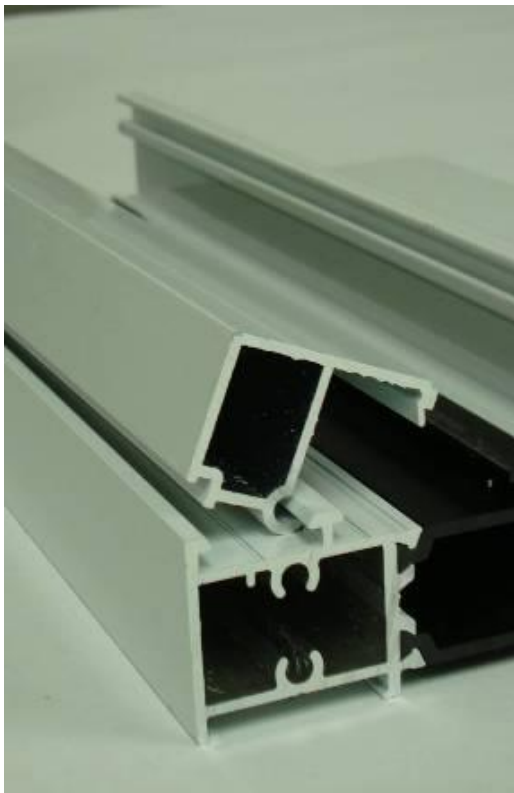
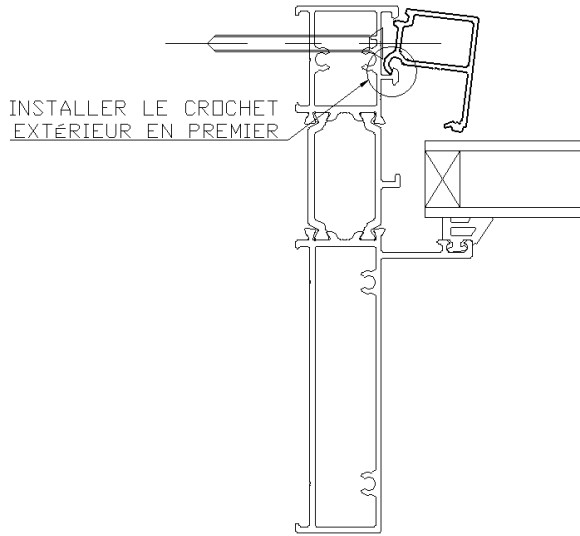
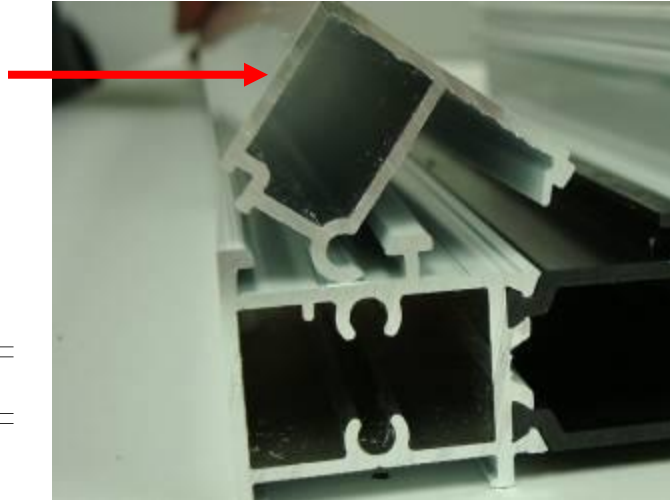


2. Attach window to the frame of the house, using the pre-drilled holes, with and # 10 screws having a minimum length of 3 " or more depending on the space between the background nailing and the window.



3. Install back the glazing molding that was removed by ensuring that it is clipped back as it was at first.

The aluminum glazing molding, must be tilted from the outside to ensure a good clipping when assembling.



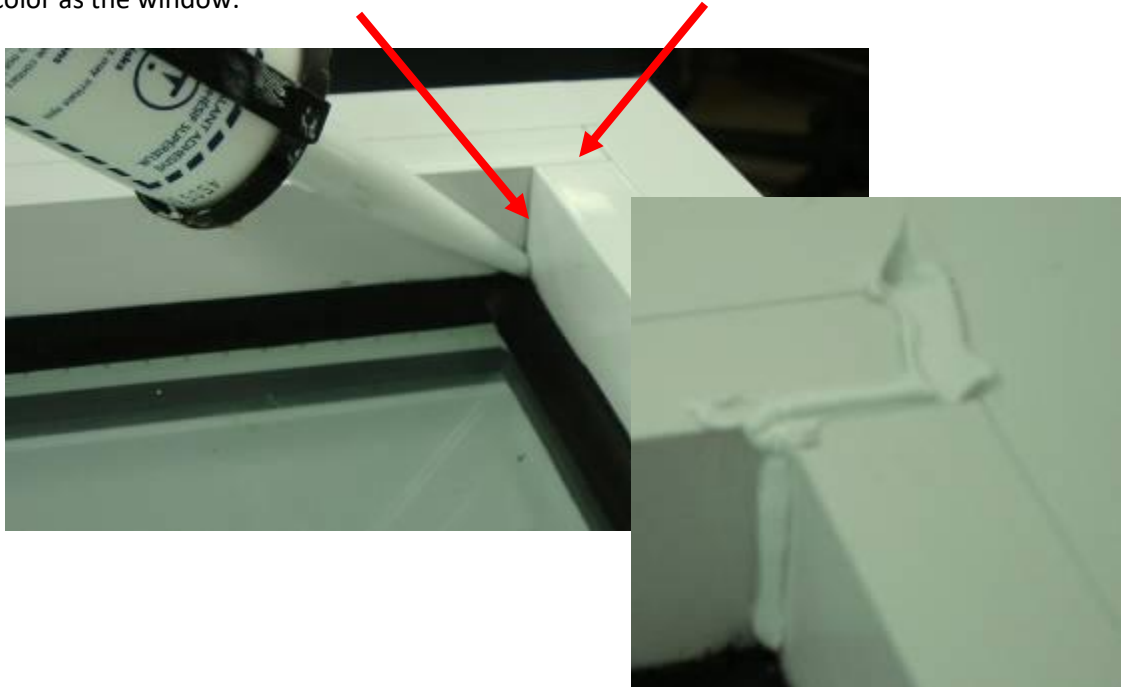
4. Reinstall the glazing gasket, removed earlier at the perimeter of the window frame by pushing it under the glazing molding extrusion. IF NECESSARY, use soapy water to facilitate insertion.

Then insert the gasket by compressing it and without cutting any excess in the end.

Gasket



5. Then seal surface at the junction of the aluminum molding with Adseal, of the same color as the window.



6. Clean excess lubricant and Adseal on the entire window (thermos included). Use naphtha for black windows or non-standard colors and use thinner for white and standard colors



For installation

**DO NOT USE CAULKING
BUTYL BY TREMCO**

* Not compatible with
our glass suppliers

