

**** IMPORTANT:** These are specific installation steps to our product. However, it is important to follow the guide and methods of the installations according to the existing building code requirement for each particular installation.

In order to not damage the product, a minimum knowledge of installation of windows and doors is required to perform the finishing adjustments presented in this guide. These adjustments do not rectify an incorrect installation.

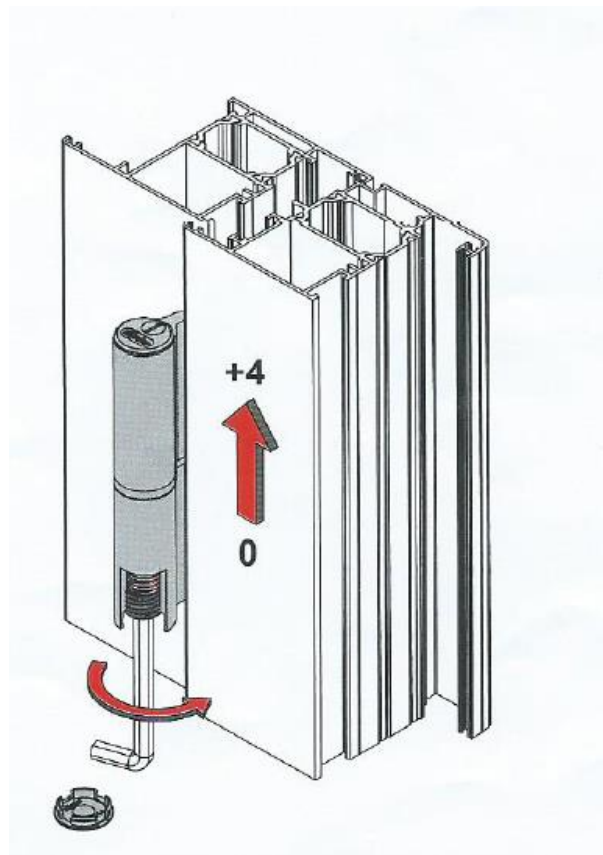
Products from our puRE line must be installed using a laser level. * * *

1. Open the shutter to access the installation holes.
2. Attach the door to the frame of the house, trough the pre-drilled holes, with # 10 screw with a minimum length of 3 " or more depending on the space between the background nailing and the window.
3. Adjust the shutter so that it is set square to the boxed frame.
 - a) Adjusting the height of the shutter:

Remove the cap from the bottom of the hinge.

With a 6mm Allen key, turn clockwise to lift the shutter and / or counter clockwise to lower the shutter.

Replace the cap from the bottom of the hinge.



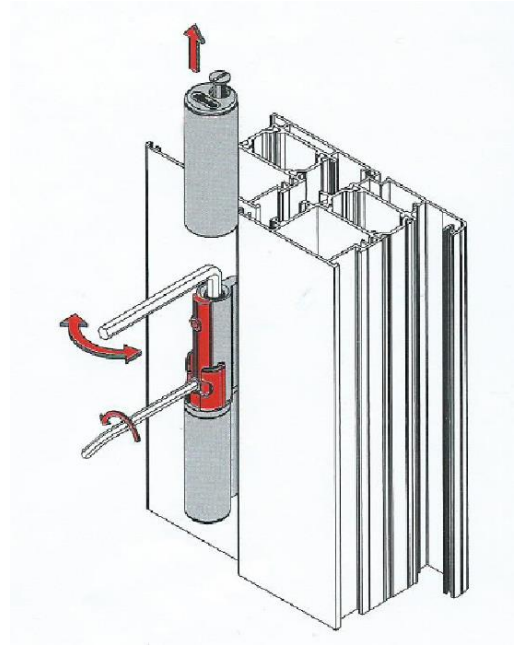
b) Adjustment left/ right hinge:

With a screwdriver, unscrew and remove the cap from the top of the hinge.

With a 4mm Allen wrench, unscrew the two front screws without removing them.

Insert a 6mm Allen key at the top of the hinge and turn left or right depending on the necessary adjustment. Maintain 6mm Allen key in place and tighten the two screws with 4mm Allen key.

Replace the cap on top of the hinge.



Adjustment of compression on side handle:

After opening shutter, find the multipoint door buttons of mechanism on the top and bottom of the shutter (between 2 and 4 per component).

With an 4 mm Allen key, adjust the engraved line on the button outward if you want to facilitate the operation of the handle, and adjust inward instead if you want to improve the sealing of the door.



For installation

**DO NOT USE CAULKING
BUTYL BY TREMCO**

* Not compatible with
our glass suppliers

